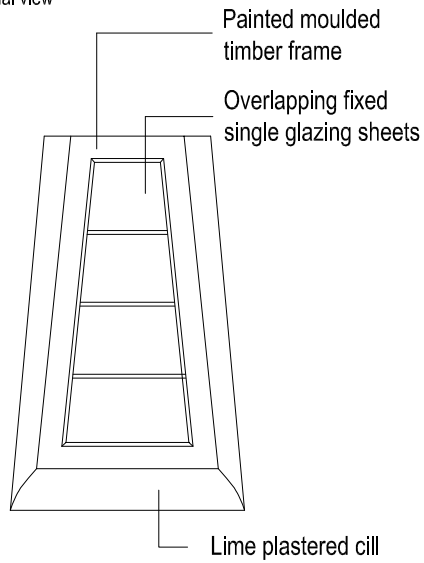
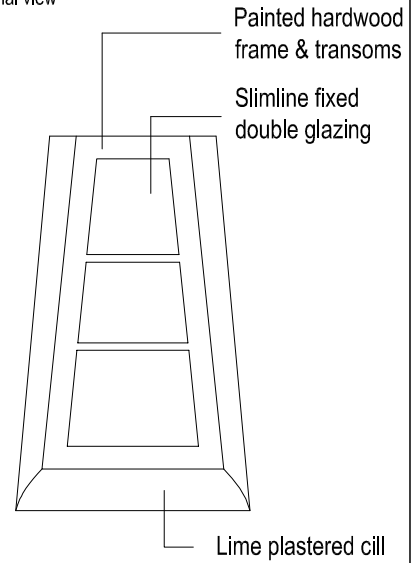


WINDOW 3

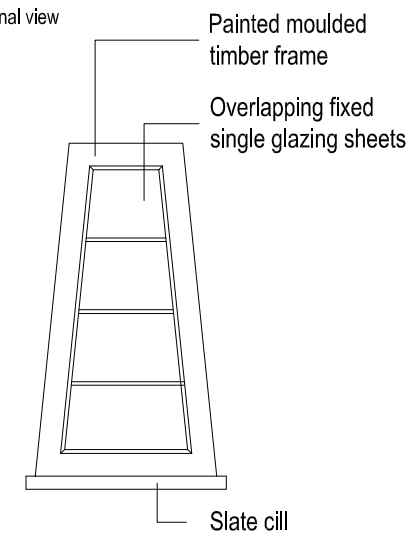
EXISTING Window 3 Elevation  
Internal view  
1:20



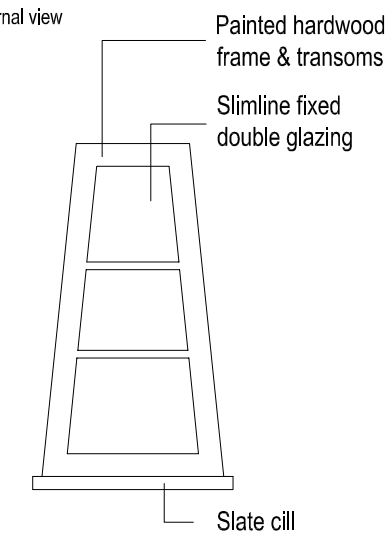
PROPOSED Window 3 Elevation  
Internal view  
1:20



EXISTING Window 3 Elevation  
External view  
1:20

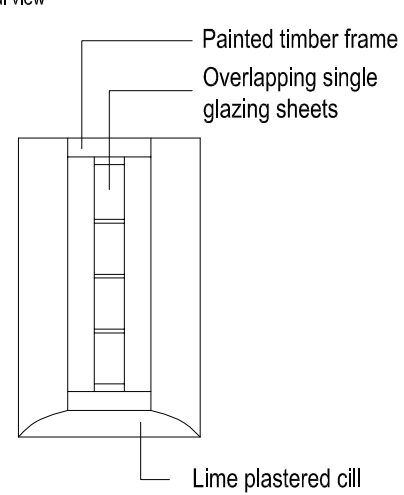


PROPOSED Window 3 Elevation  
External view  
1:20

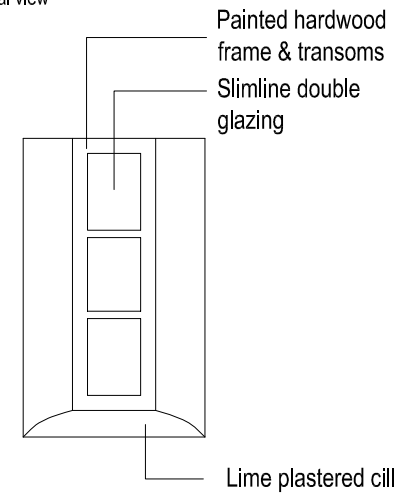


WINDOW 5

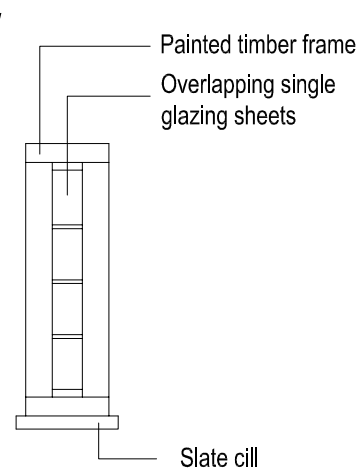
EXISTING Window 5 Elevation  
Internal view  
1:20



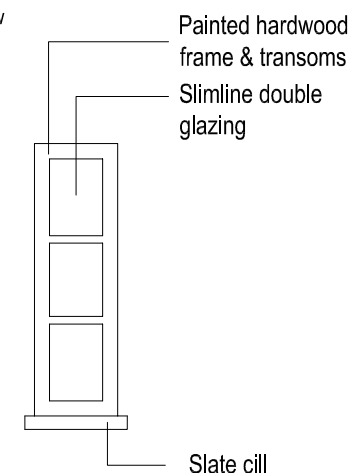
PROPOSED Window 5 Elevation  
Internal view  
1:20



EXISTING Window 5 Elevation  
External view  
1:20



PROPOSED Window 5 Elevation  
External view  
1:20



Notes  
Do not scale from this drawing  
Refer to Heritage Statement for photographs

JONATHAN HARFORD  
ARCHITECT ARB RIBA  
  
HIGHER BLAGROVE FARM  
EAST WORLINGTON  
DEVON  
EX17 4SU

Title  
  
EAST WORLINGTON PARISH HALL  
REPLACEMENT OF 3 MODERN WINDOWS

Client  
  
EAST WORLINGTON PARISH HALL  
EAST WORLINGTON  
DEVON  
EX17 4TS

Drawing  
  
EXISTING & PROPOSED  
WINDOW DETAILS

Scale 1:20 @ A3	Drawing no.	Rev
Date 18.02.23	EWPH PW02	-

EXISTING details  
1:20

EXISTING details  
1:20

PROPOSED details  
1:20

PROPOSED details  
1:20